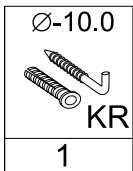
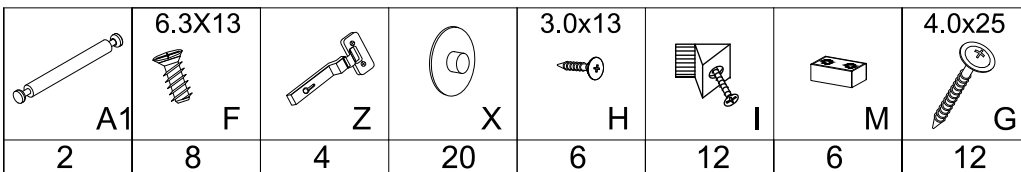
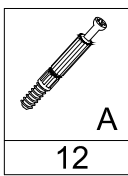
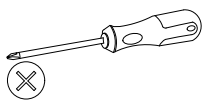
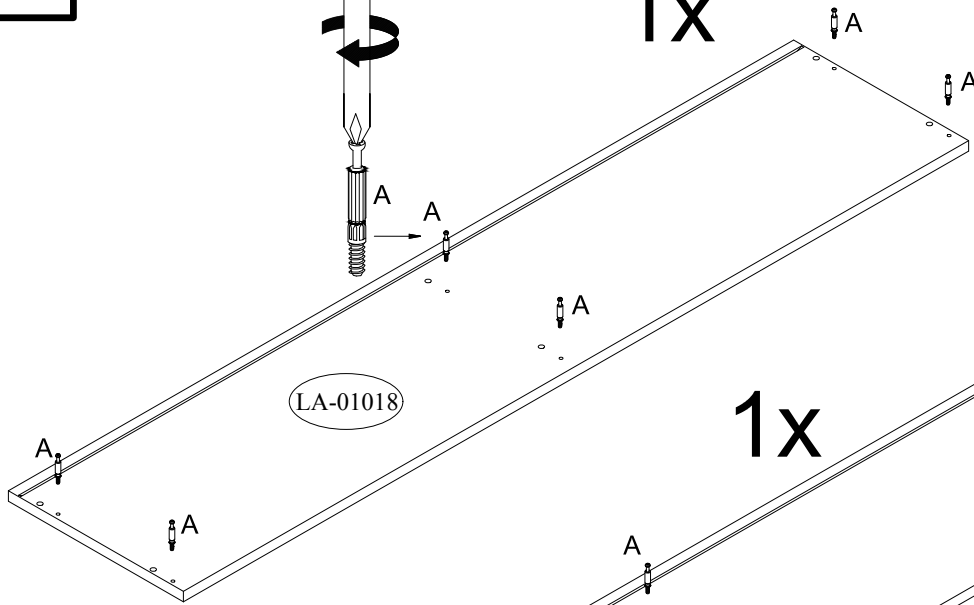


V-VIII-IX-X-XIII



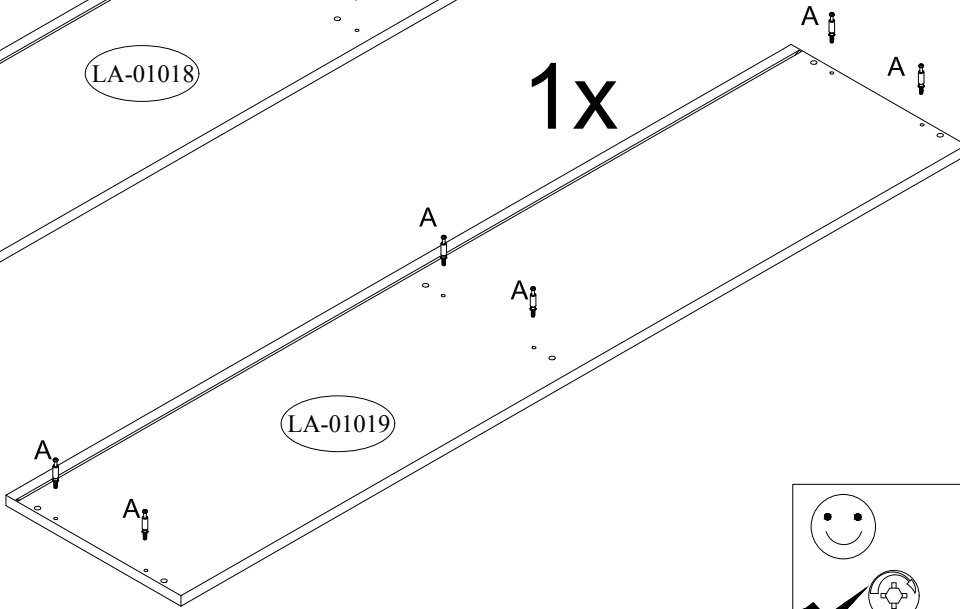


1x

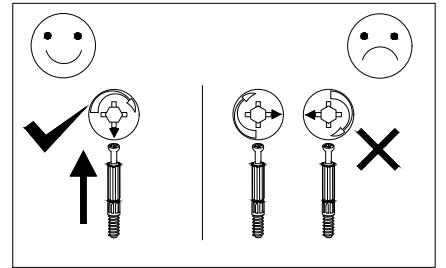


LA-01018

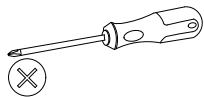
1x



LA-01019

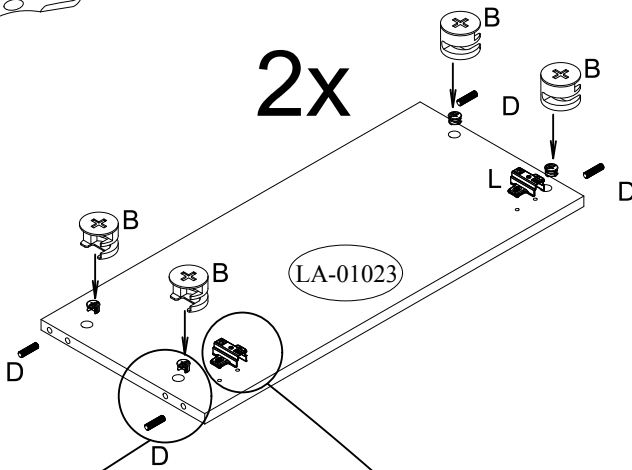


II

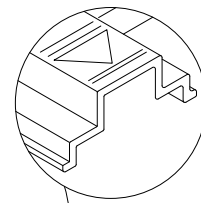
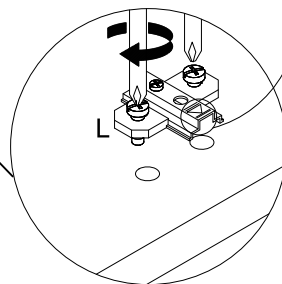
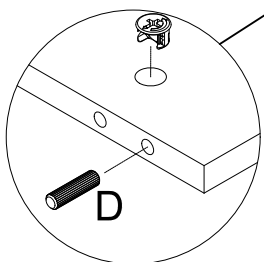


	8.0x30 	
4	8	8

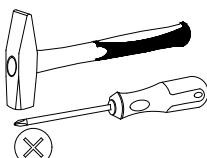
2x



LA-01023

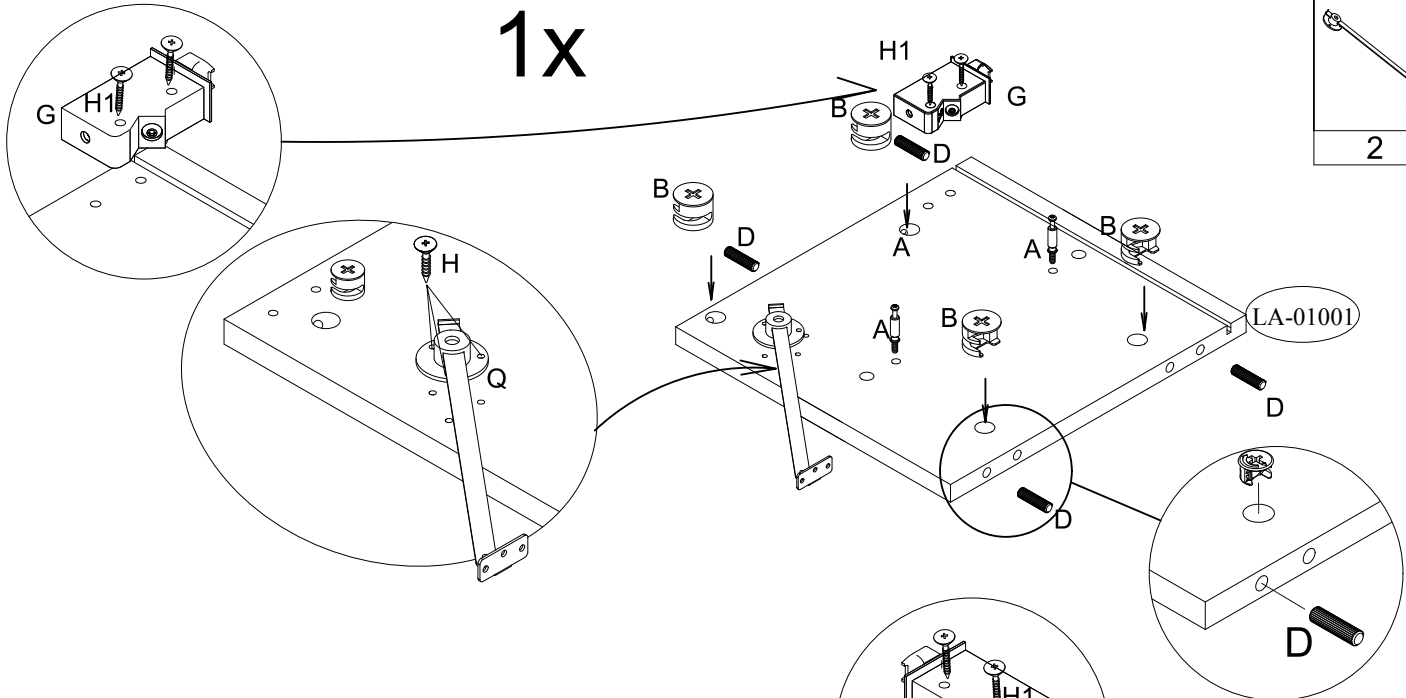


III

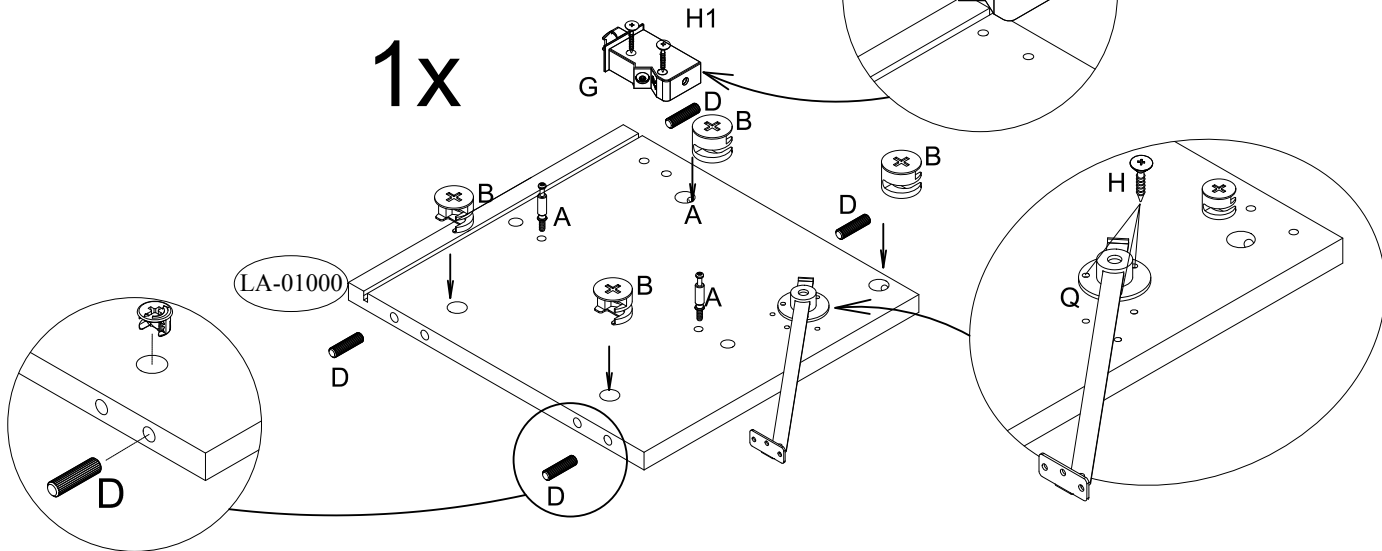


	3.0x13 A		4.0x30 H1		8.0x30 D		B
4	6	2	4	8	8		

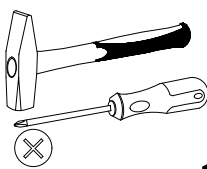
1x



1x

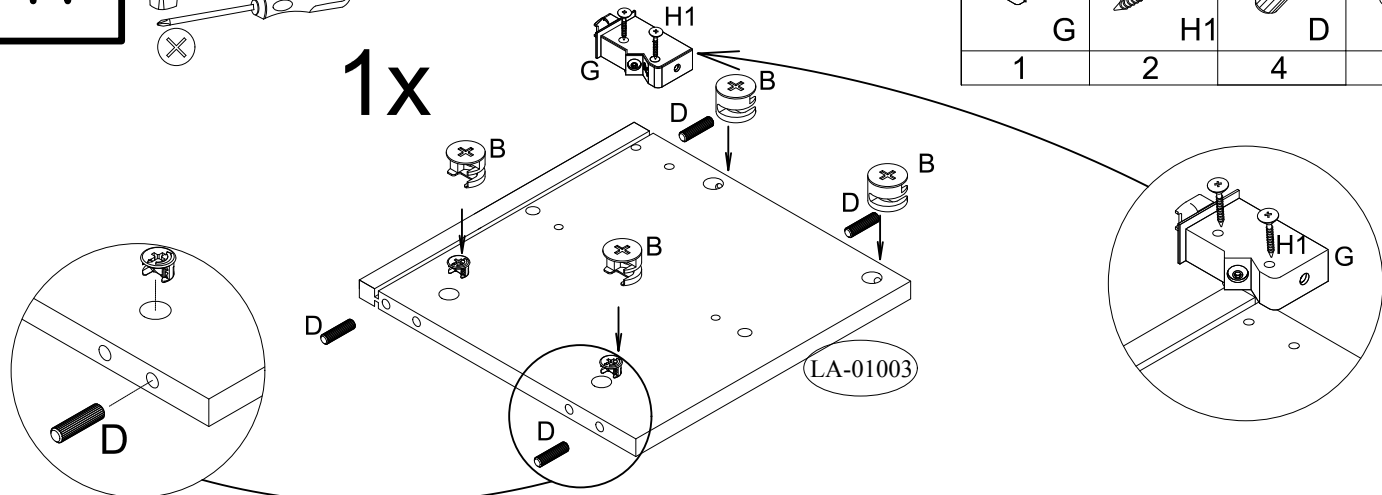


IV

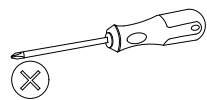


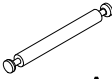

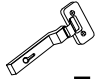
	4.0x30 H1		
G	H1	D	B
1	2	4	4

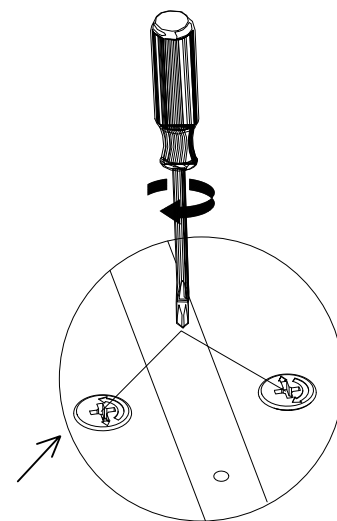
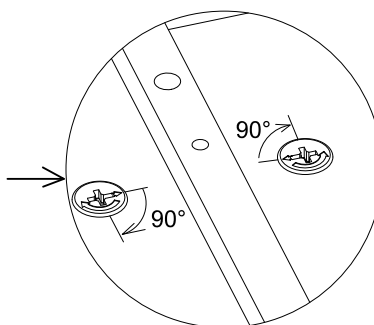
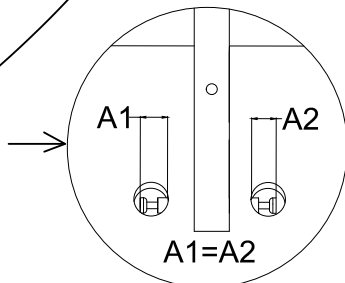
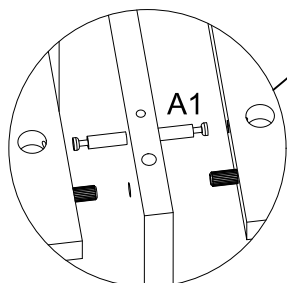
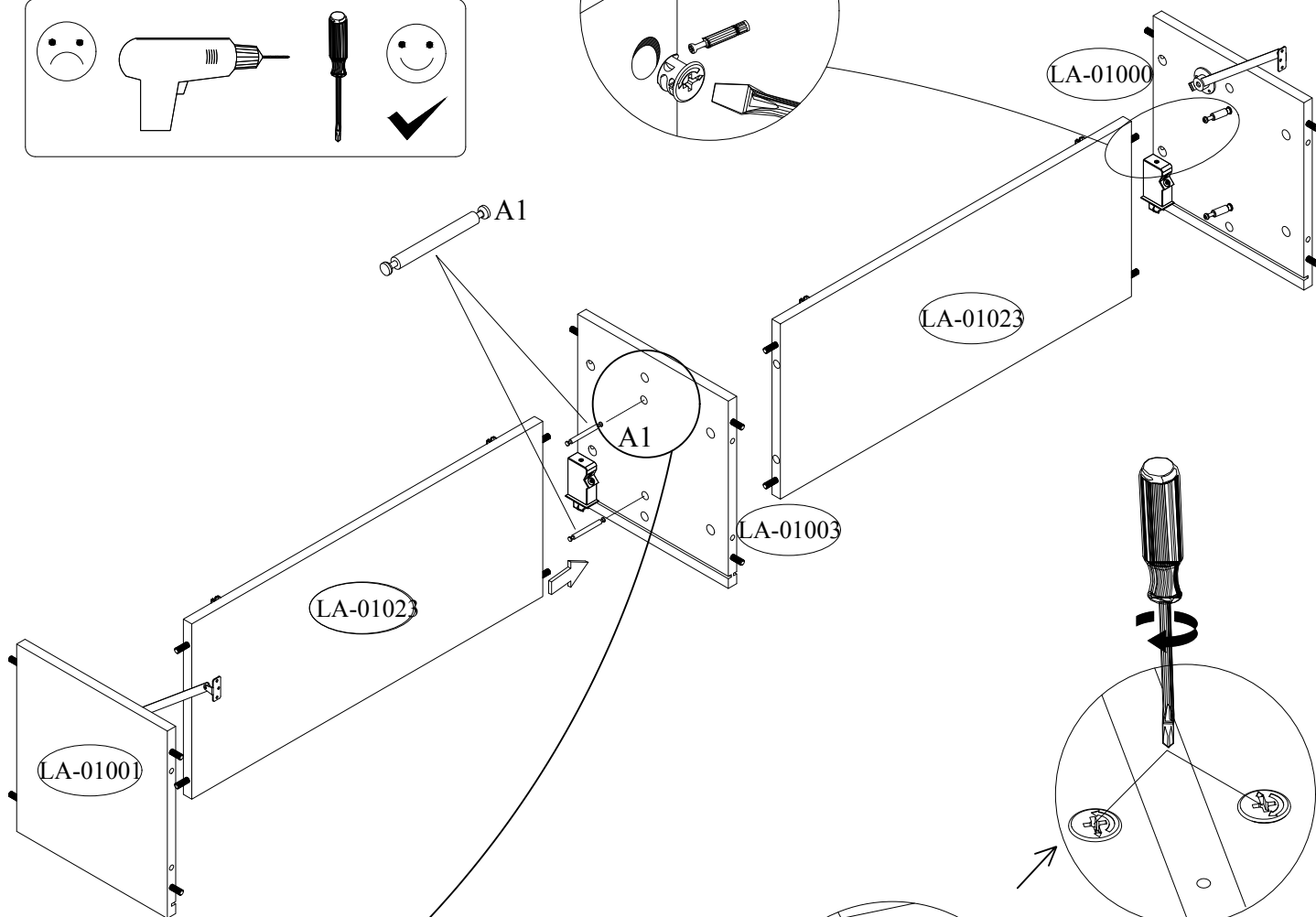
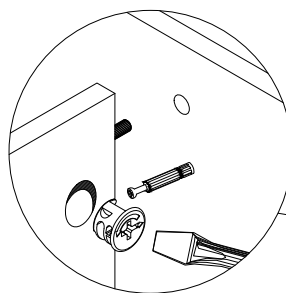
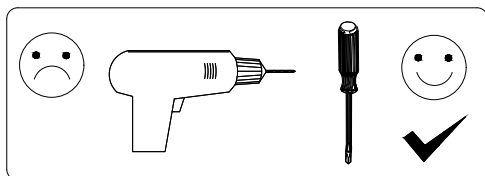
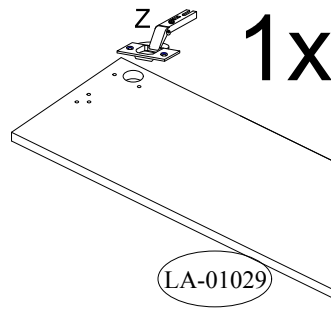
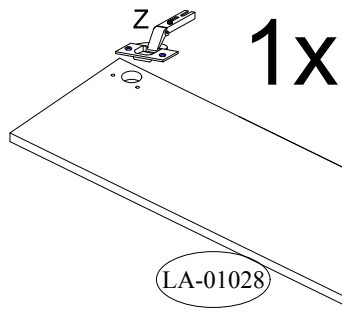
1x



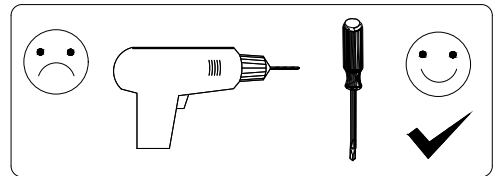
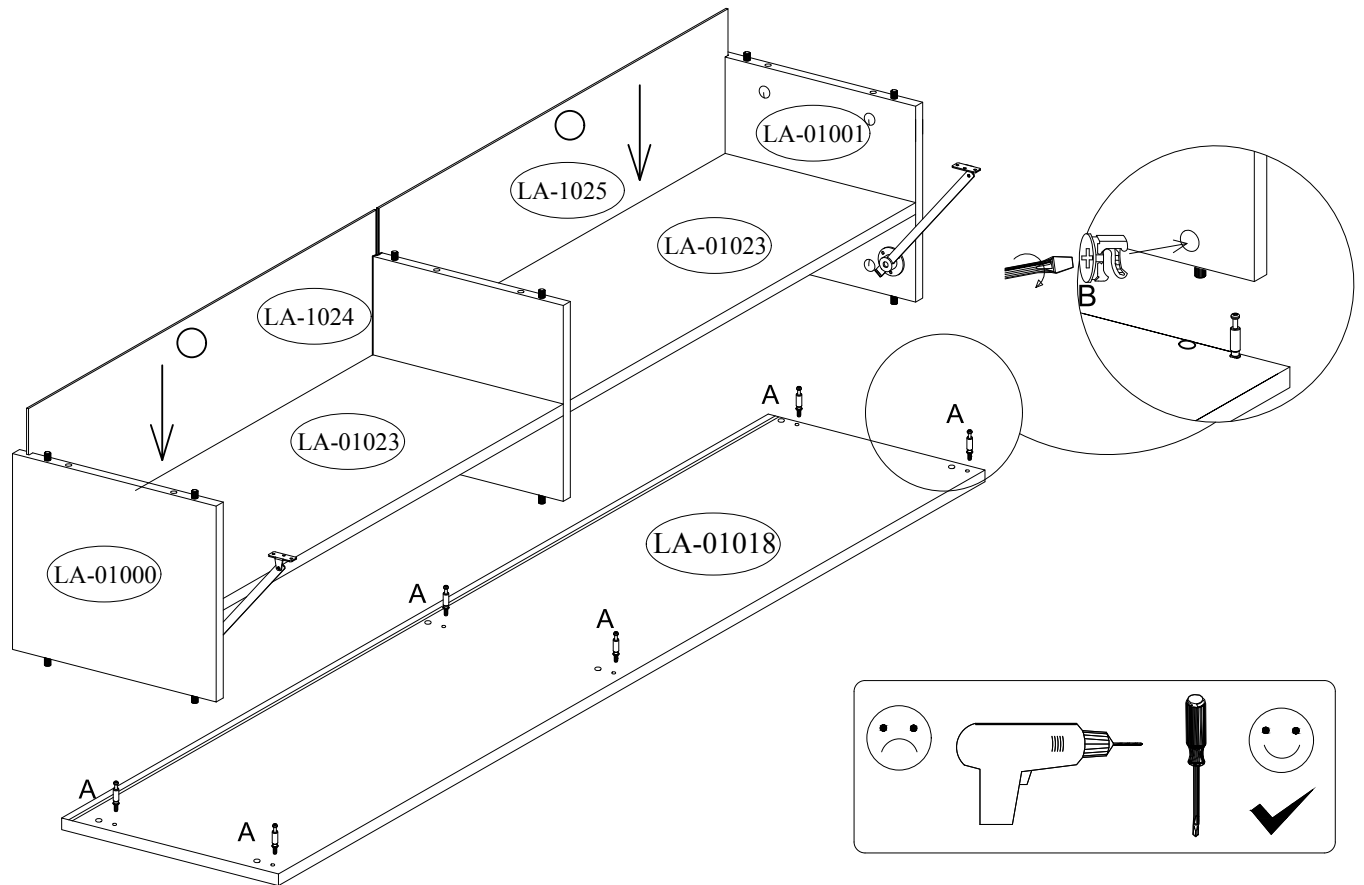
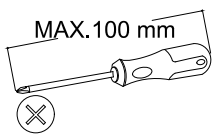
V



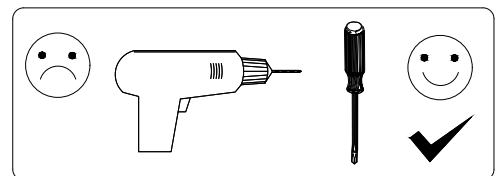
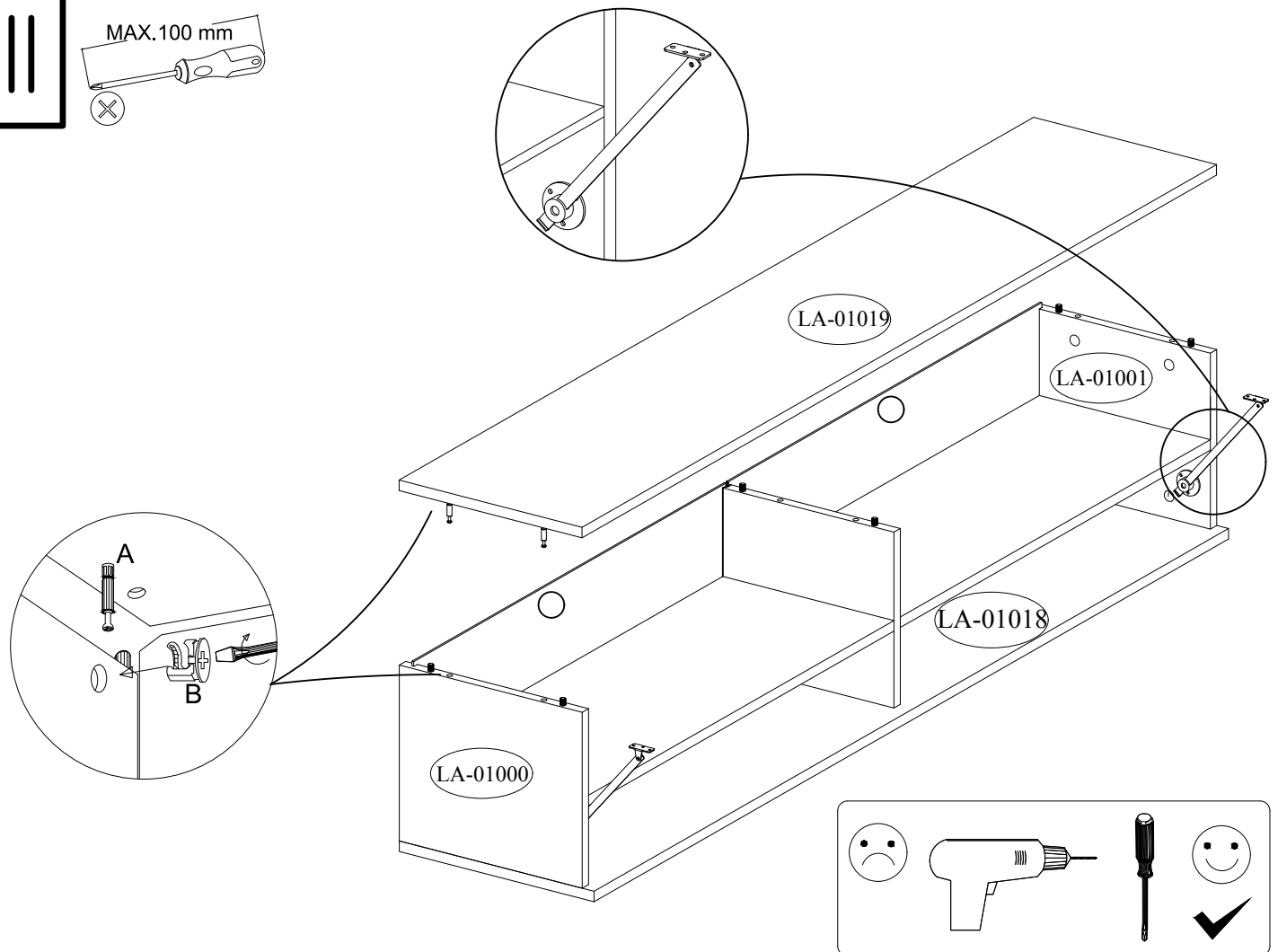
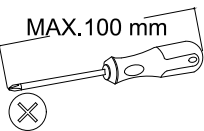
	6.3X13 	
A1	F	Z
2	8	4



VI

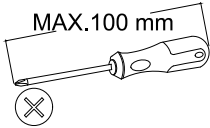


VII



VIII

MAX.100 mm

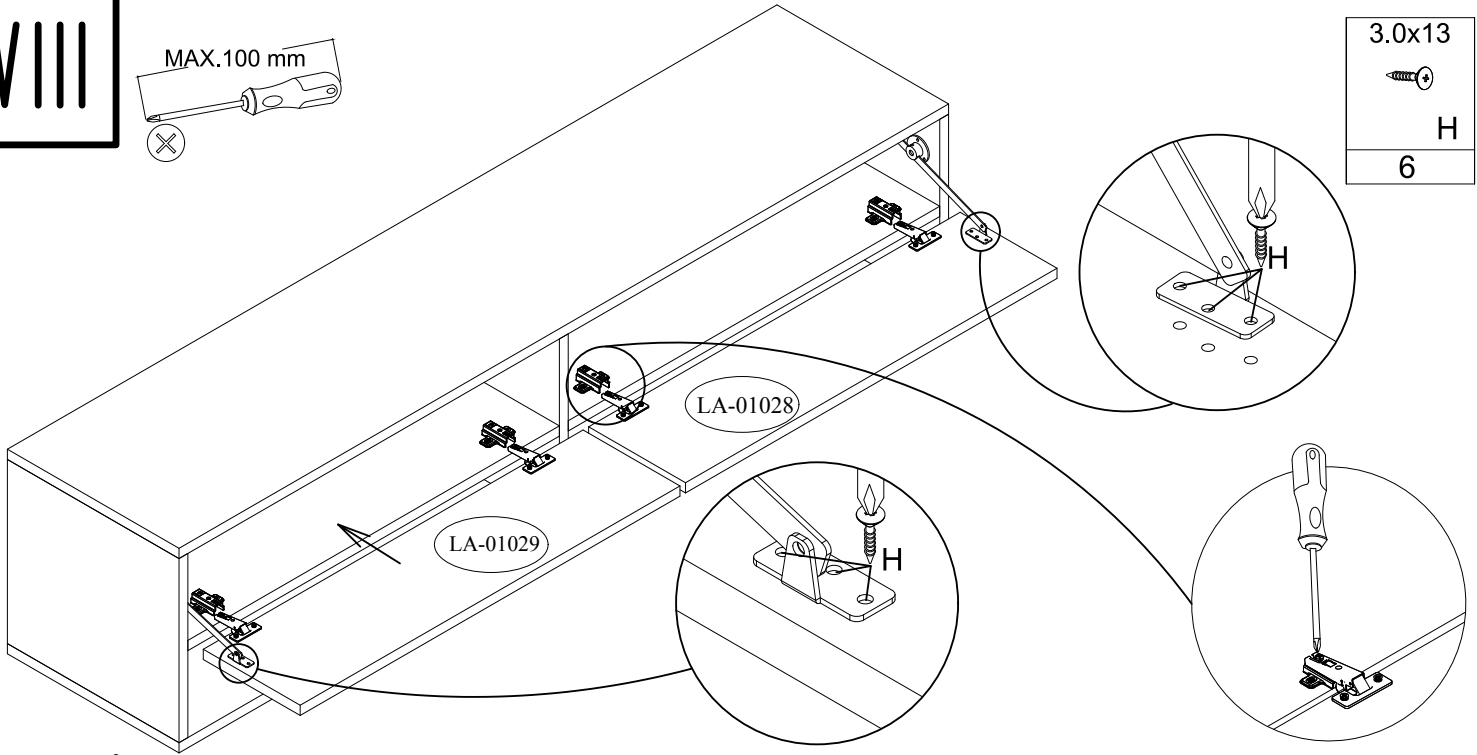


3.0x13

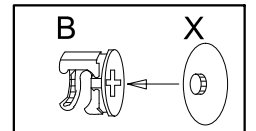
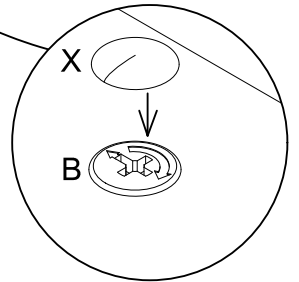
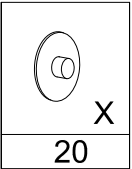
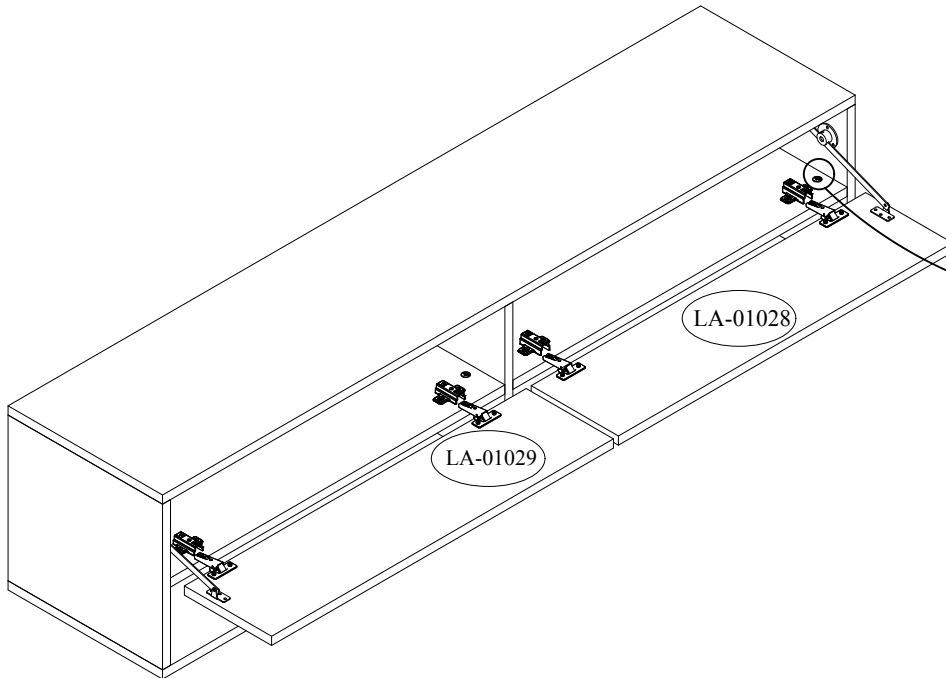


H

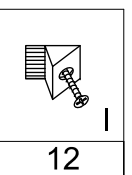
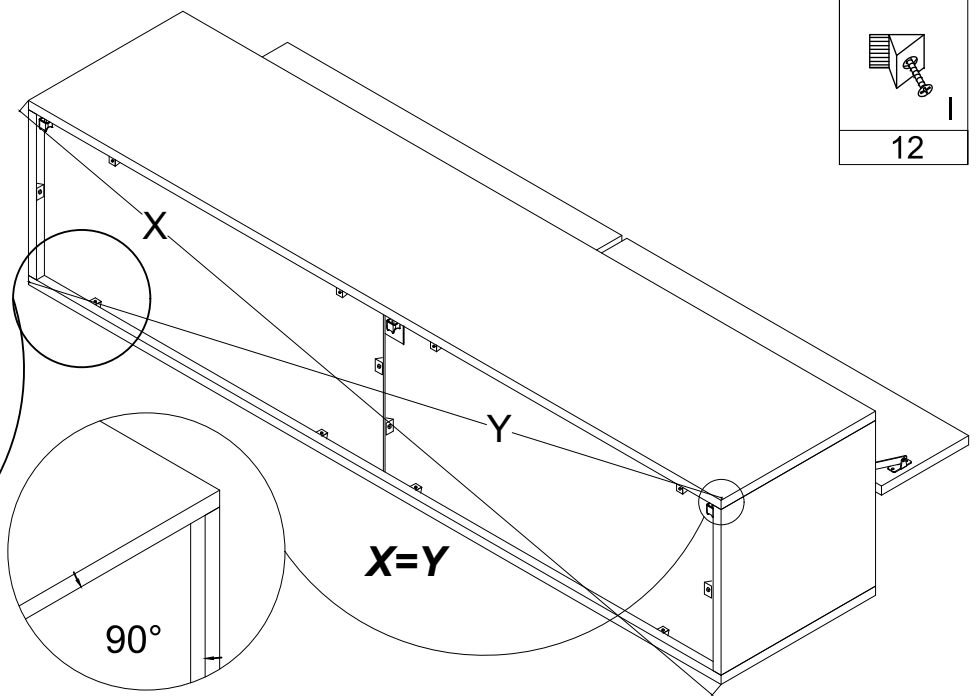
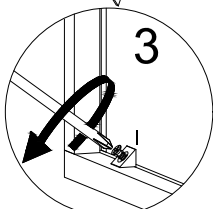
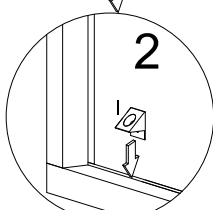
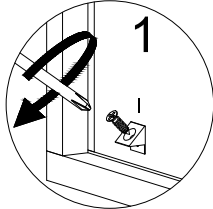
6



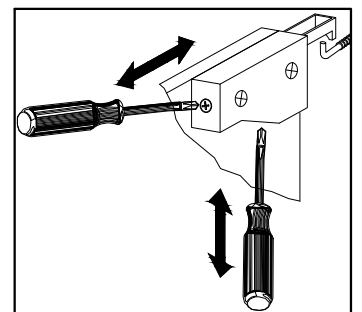
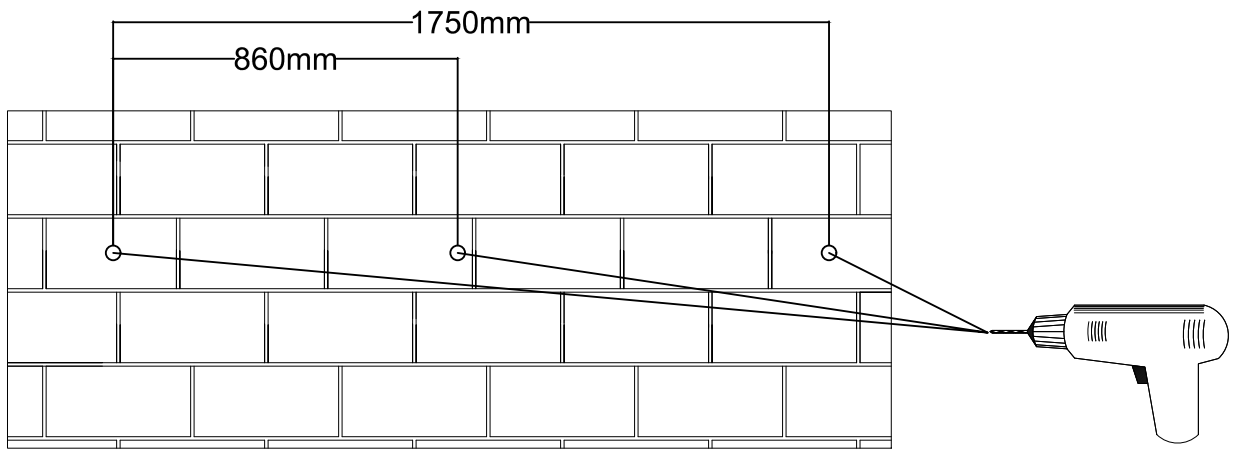
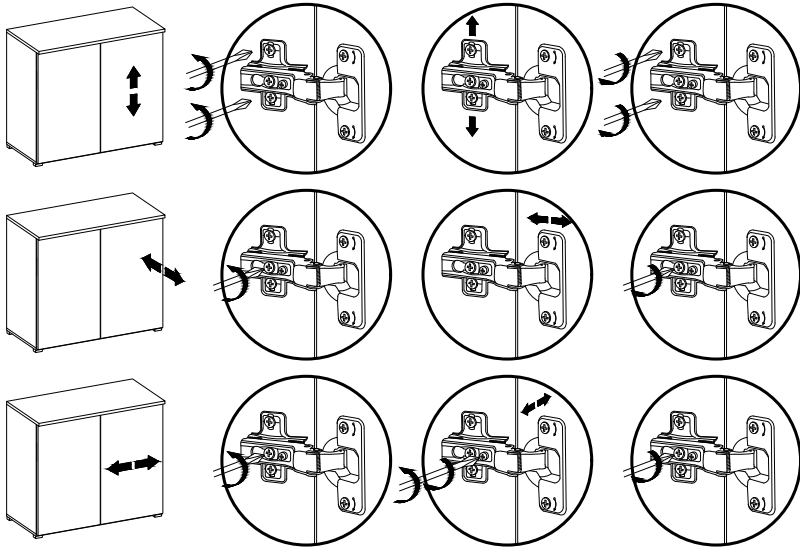
IX

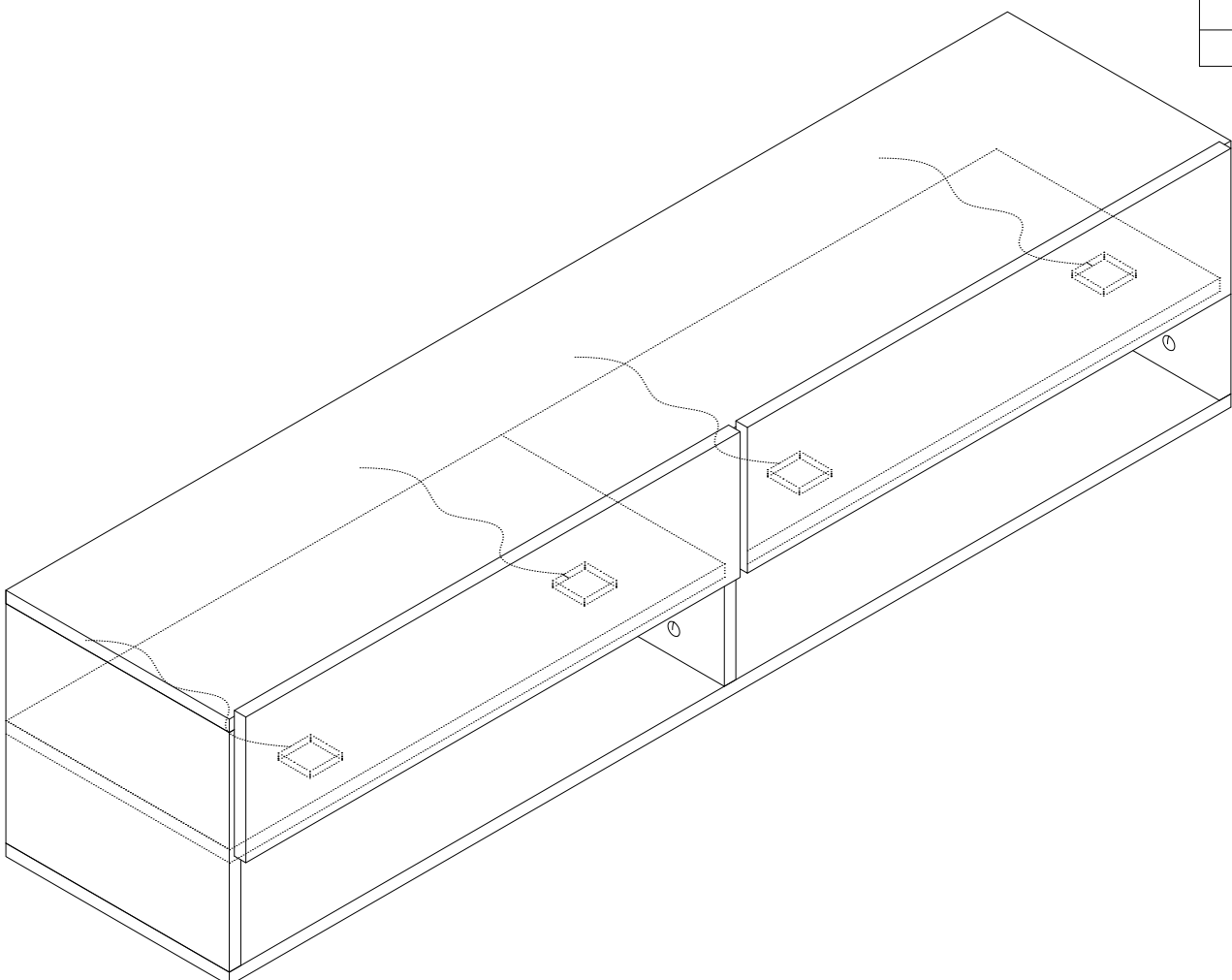
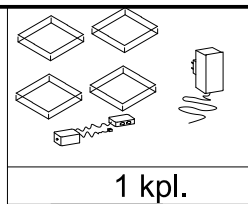


X



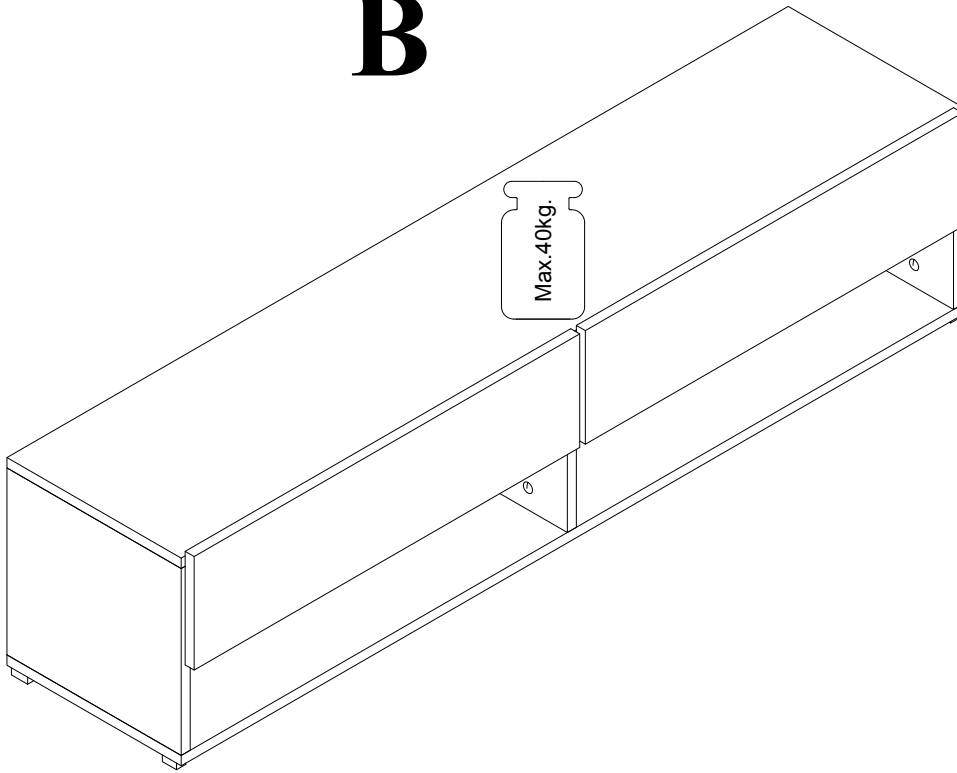
XI



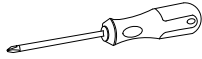




XII

B



XIII



 M	4.0x25  G
6	12

